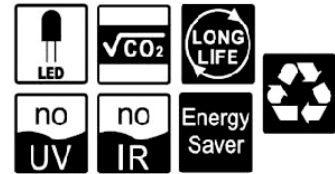




64  
LED

TOOLLESS  
ACCESS

IP 66  
Ta: 50°



### Applications :

Roads and Highways  
Urban Roads and Street Lighting  
Park & Garden Lighting  
Pedestrian Road Lighting  
Wide Area Lighting

- EN 60598-1
- EN 60598-2-3
- ISO 9001
- ISO 14001
- ISO 45001
- CE
- IK 08/ IK 10

### Driver Protections :

Open Circuits  
Short Circuits  
Low & High Voltage  
Soft Start  
Thermal Protection

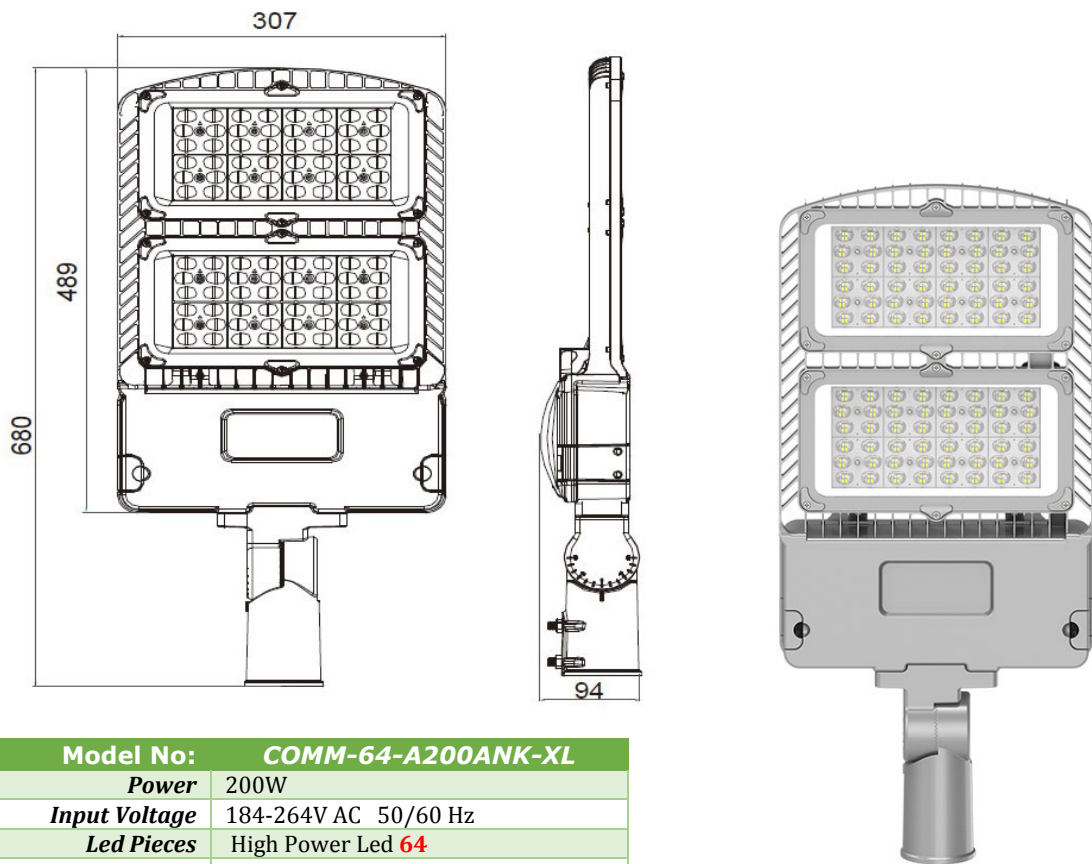


Anti-Humidity Valve/  
Pressure Compensating Valve

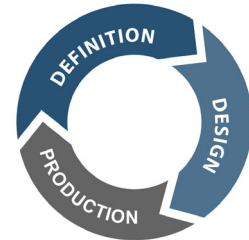


ON THE PRODUCT FOR INSTALLATION  
Bubble Level READY

## TECHNICAL DRAWINGS and SPECIFICATION :



<b>Model No:</b>	<b>COMM-64-A200ANK-XL</b>
<b>Power</b>	200W
<b>Input Voltage</b>	184-264V AC 50/60 Hz
<b>Led Pieces</b>	High Power Led <b>64</b>
<b>Lumen</b>	25826 Lumen
<b>Led Fixture Efficiency</b>	129 Lm/W
<b>Color temperature</b>	3000-4000-5000-6500 Kelvin
<b>Led CRI</b>	>70
<b>Led LM80 Life</b>	Led LM80 (L70) Life >60.000 Hours Led LM80 (L90) Life >102.000 Hours
<b>Working Temperature</b>	-30 / +55 C°
<b>Light Optic Class</b>	IESNA Type II & Type III Assymmetric
<b>IP Protect Class</b>	IP66
<b>Body material</b>	Aluminum Injection
<b>Front Side</b>	4mm Tempered Extra Clear Glass
<b>Arm Diameter</b>	42-62 mm
<b>Weight</b>	7 kg
<b>Dimensions</b>	307 x 680 x 94 mm



### OPTIONAL LED DRIVER BRANDS



RAL 7035

RAL 7040

RAL 9005

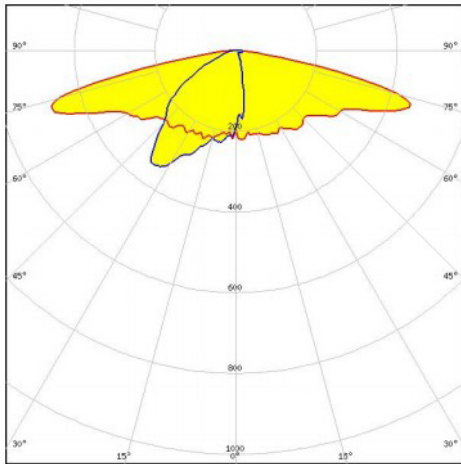
Ta : 50° CLASS I

Glass **IK08** **IK10** Body

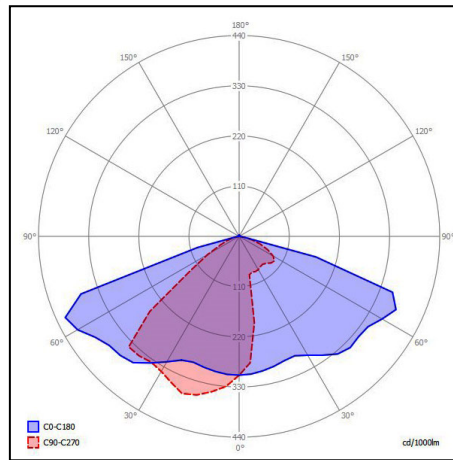
**PFC** PFC FUNCTION

## LIGHTING CURVE

IESNA TYPE II



IESNA TYPE III



## POWER ANALYZER RESULT



### DIMM Options :

- DALI DIMM
- StepDIMM
- Smart Timer DIMM
- 0-10V DIMM

### Hardware Options:

- Optional High Power LED
- Optional Led Driver
- **External SPD Protection**
- Special Body Paint
- Color RAL XXXX

High Power  
Optional LED Brands