

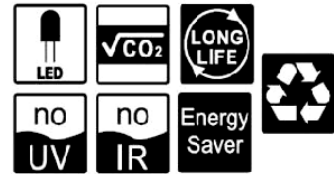


48
LED

IP 66
Ta : 50°



TOOLLESS
ACCESS



Applications :

Roads and Highways
Urban Roads and Street Lighting
Park & Garden Lighting
Pedestrian Road Lighting
Wide Area Lighting

- EN 60598-1
- EN 60598-2-3
- ISO 9001
- ISO 14001
- ISO 45001
- CE
- IK 08/ IK 10

Driver Protections :

Open Circuits
Short Circuits
Low & High Voltage
Soft Start
Thermal Protection



EXTERNAL POWER LED OPEN CIRCUIT
PROTECTION PLED

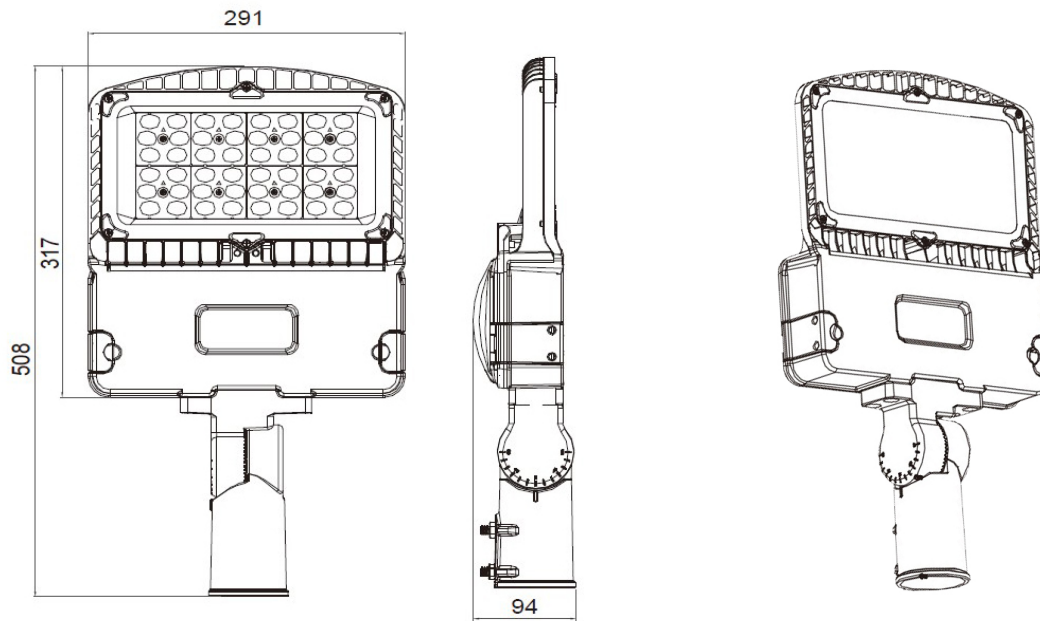


Anti-Humidity Valve/
Pressure Compensating Valve

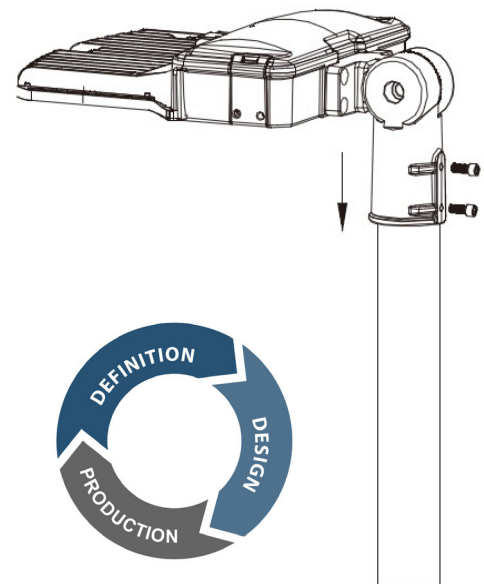


ON THE PRODUCT FOR INSTALLATION
Bubble Level READY

TECHNICAL DRAWINGS and SPECIFICATION :



Model No:	COMM-48-A100ANK-S
Power	100W
Input Voltage	184-264V AC 50/60 Hz
Led Pieces	High Power Led 48
Lumen	14297 Lumen
Led Fixture Efficiency	143 Lm/W
Color temperature	4000 Kelvin
Led CRI	>70
Led LM80 (L70) Life	>60.000Hours
Working Temperature	-30 / +55 C°
Light Optic Class	IESNA Type II & Type III Assymetric
IP Protect Class	IP66
Body material	Aluminum Injection
Front Side	4mm Tempered Extra Clear Glass
Arm Diameter	42-62 mm
Weight	4 kg
Dimensions	291 x 508 x 94 mm



OPTIONAL LED DRIVER BRANDS

INVENTRONICS

OSRAM

MW
MEAN WELL

RAL 7035

RAL 7040

RAL 9005

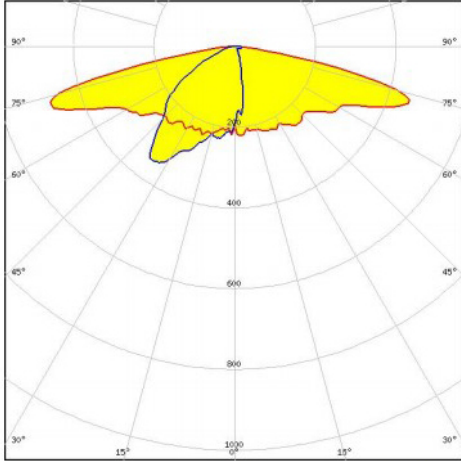
Ta: 50° CLASS I

Glass **IK08** **IK10** Body

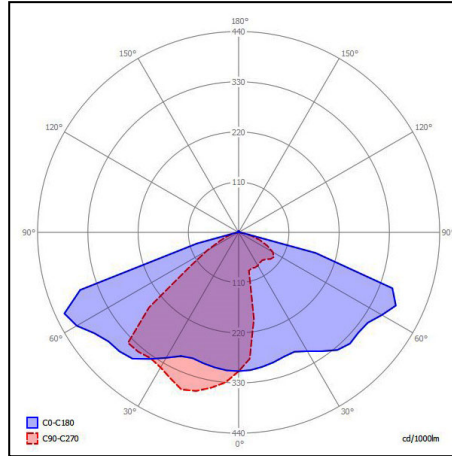
PFC PFC FUNCTION

LIGHTING CURVE

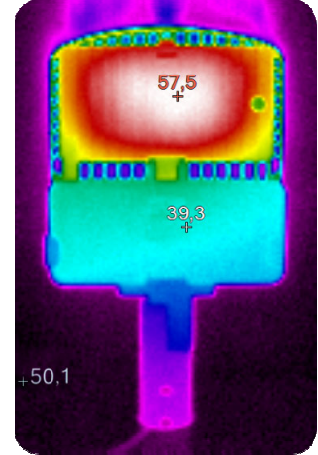
IESNA TYPE II



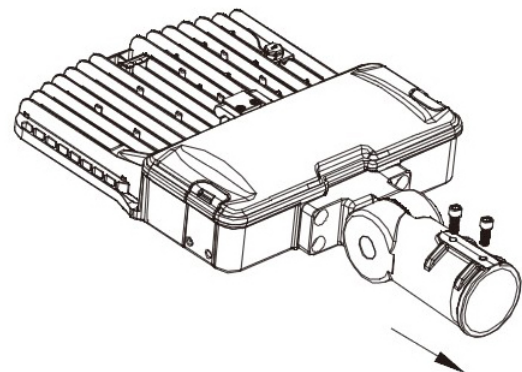
IESNA TYPE III



BODY THERMAL RESULT



POWER ANALYZER RESULT



DIMM Options :

- DALI DIMM
- StepDIMM
- Smart Timer DIMM
- 0-10V DIMM

Hardware Options:

- Optional High Power LED
- Optional Led Driver
- **External SPD Protection**
- Special Body Paint
- Color RAL XXXX

High Power Optional LED Brands

NICHIA

OSRAM
Opto Semiconductors

SAMSUNG

CREE