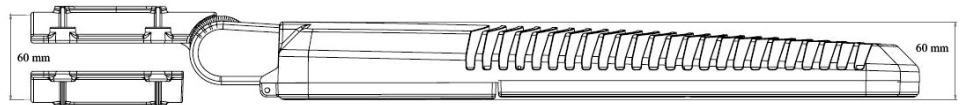
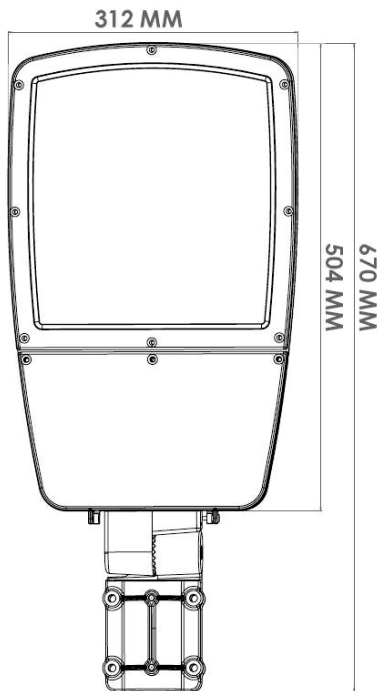




IP 66 Ta: 50°



Applications :
 Roads and Highways
 Urban Roads and Street Lighting
 Park & Garden Lighting
 Pedestrian Road Lighting
 Wide Area Lighting

Driver Protections :
 Open Circuits
 Short Circuits
 Low & High Voltage
 Soft Start
 Thermal Protection

- ENEC+ & ENEC
- EN 60598-2-3
- KEMA-KEUR
- CB
- UL
- ISO 9001
- ISO 14001
- OHSAS 18001
- CE

CERTIFICATES:



Test Report issued under the responsibility of :



TECHNICAL SPECIFICATION

Model No:	COMM-64-A105CS
Power	105W
Input Voltage	100-240V AC 50/60 Hz
Led Pieces	High Power Led 64
Lumen	14781 Lumen
Color Temperature	3000-4000-5000-6500K
Led Life (LM80)	>60.000 Hours
Working Temperature	-30 / +55 C°
Lighting Angel	Type II & Type III Asymmetric
IP Class	IP66
Body Material	Aluminum Injection
Front Side	4mm Tempered Glass
Arm Diameter	4-6 cm
Weight	9,5 kg
Dimensions	31 x 70 x 6 cm

POWER ANALYZER RESULT



Model No:	COMM-64-A125CS
Power	125W
Input Voltage	100-277V AC 50/60 Hz
Led Pieces	High Power Led 64
Lumen	17322 Lumen
Color Temperature	3000-4000-5000-6500K
Led Life (LM80)	>60.000 Hours
Working Temperature	-30 / +55 C°
Lighting Angel	Type II & Type III Asymmetric
IP Class	IP66
Body Material	Aluminum Injection
Front Side	4mm Tempered Glass
Arm Diameter	4-6 cm
Weight	9,5 kg
Dimensions	31 x 70 x 6 cm



Model No:	COMM-64-A150CS
Power	150W
Input Voltage	100-277V AC 50/60 Hz
Led Pieces	High Power Led 64
Lumen	19599 Lumen
Color Temperature	3000-4000-5000-6500K
Led Life (LM80)	>60.000 Hours
Working Temperature	-30 / +55 C°
Lighting Angel	Type II & Type III Asymmetric
IP Class	IP66
Body Material	Aluminum Injection
Front Side	4mm Tempered Glass
Arm Diameter	4-6 cm
Weight	9,5 kg
Dimensions	31 x 70 x 6 cm



Glass **IK08** **IK10** Body

Ta: 50° CLASS I

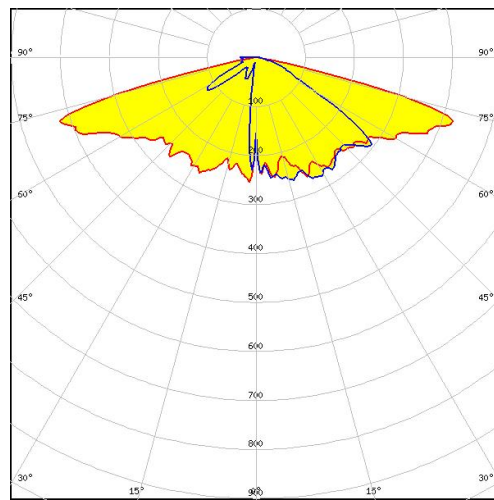
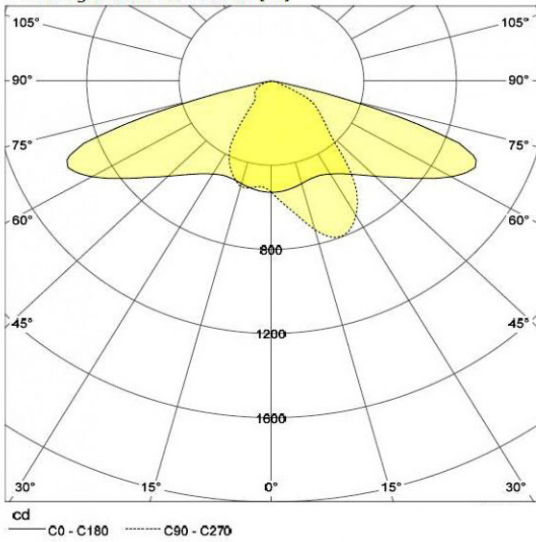
PFC PFC FUNCTION

LIGHTING CURVE

TYPE II

TYPE III

Result: Light distribution curve [cd]



High Power
Optional LED Brands



FRONT VIEW

**PCB
Design**

64L



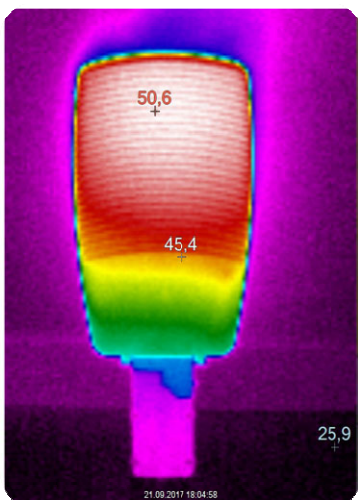
RAL 7035

RAL 7015

RAL 7040

BODY THERMAL RESULT

OPTIONAL LED DRIVER BRANDS



DIMM Options :

- DALI
- StepDIMM
- Smart Timer Dimming
- 0-10V
- NEMA&Zhaga

Hardware Options

- Optional High/Middle Power LED Brands
- Optional Led Driver Brands
- **External Surge Protection**
- RAL XXXX

